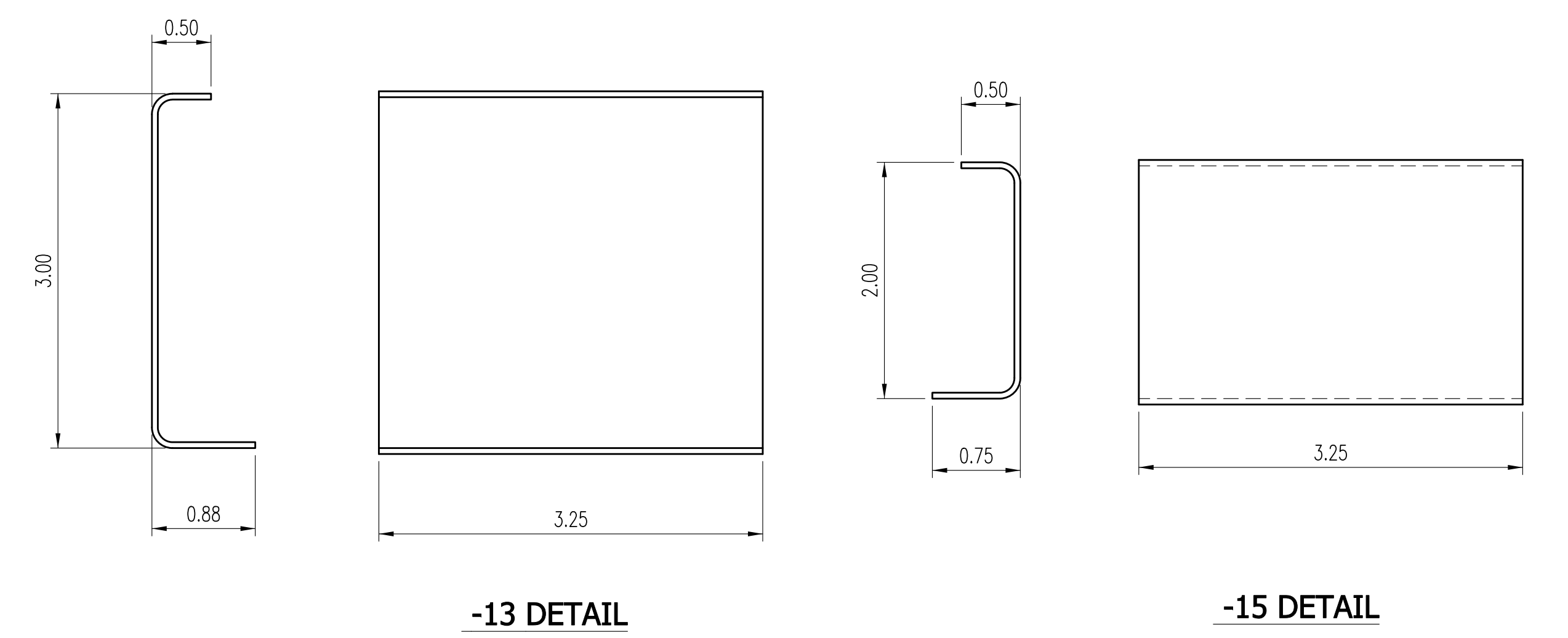
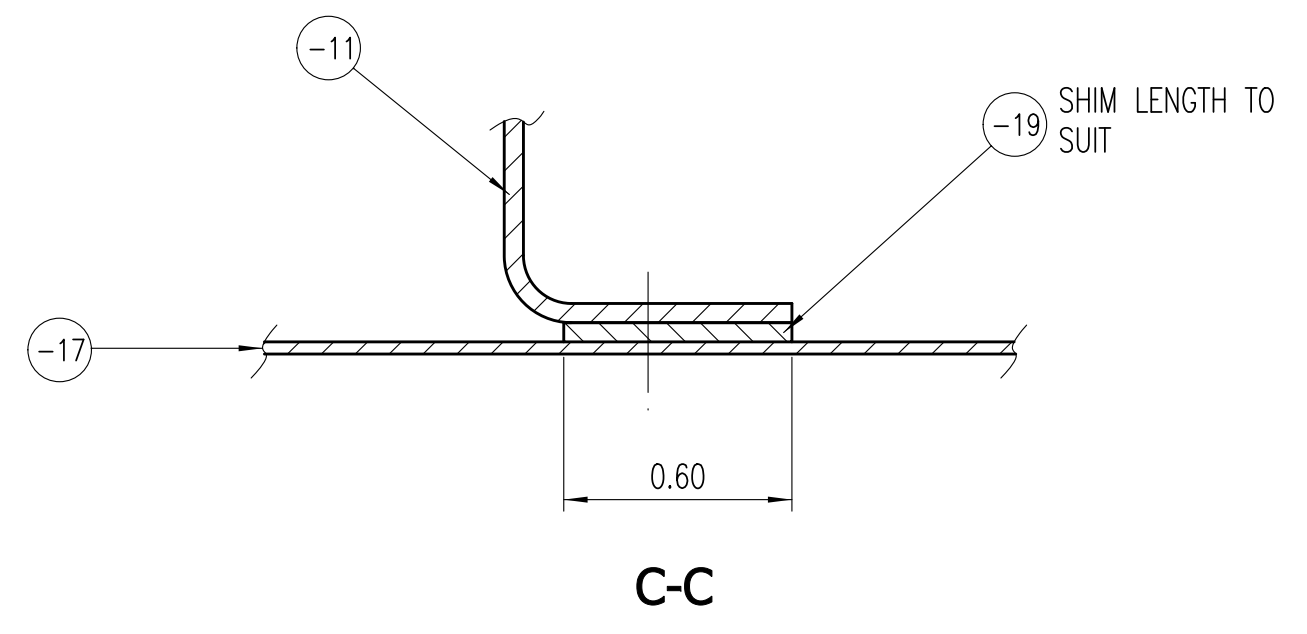
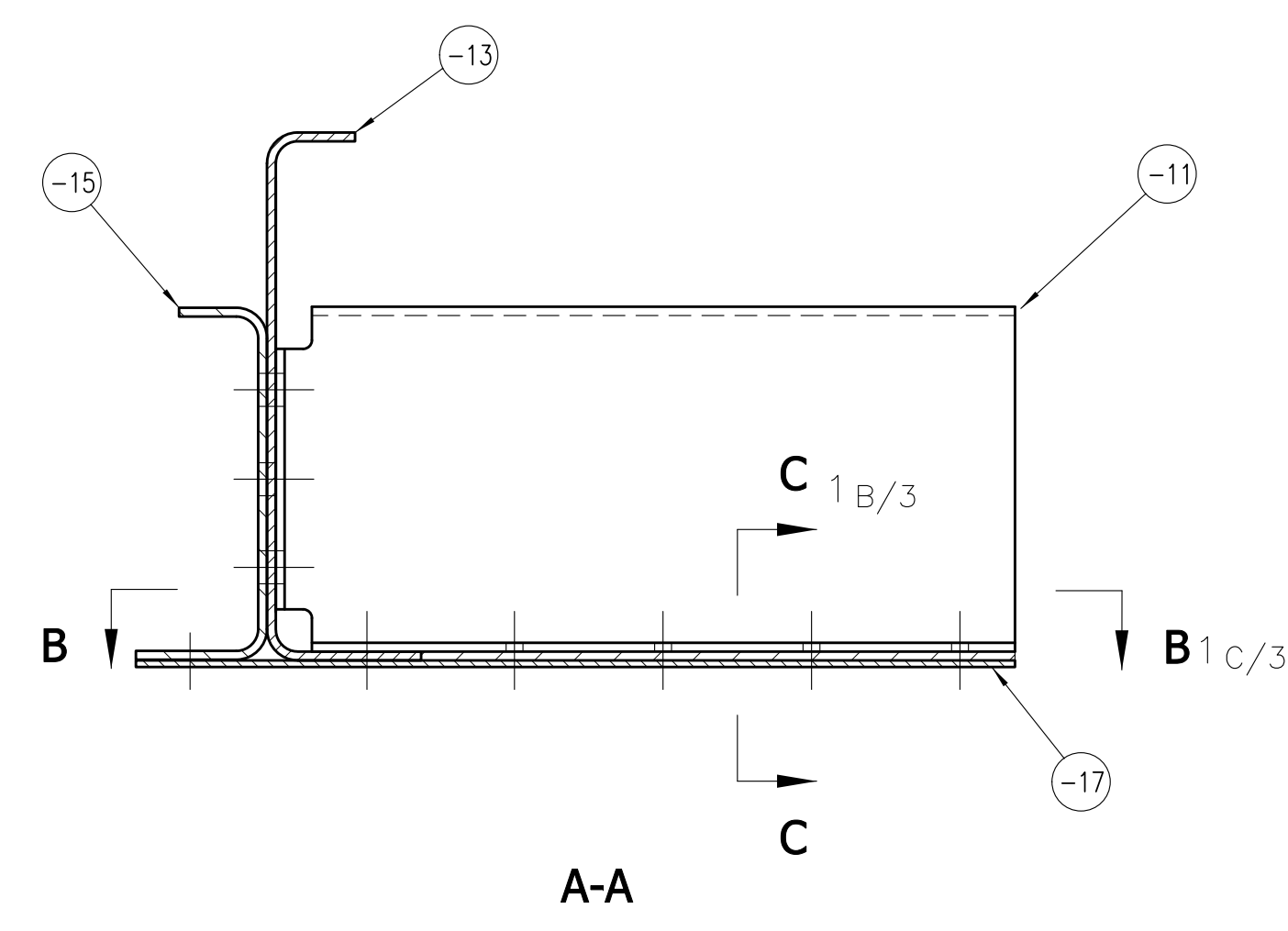
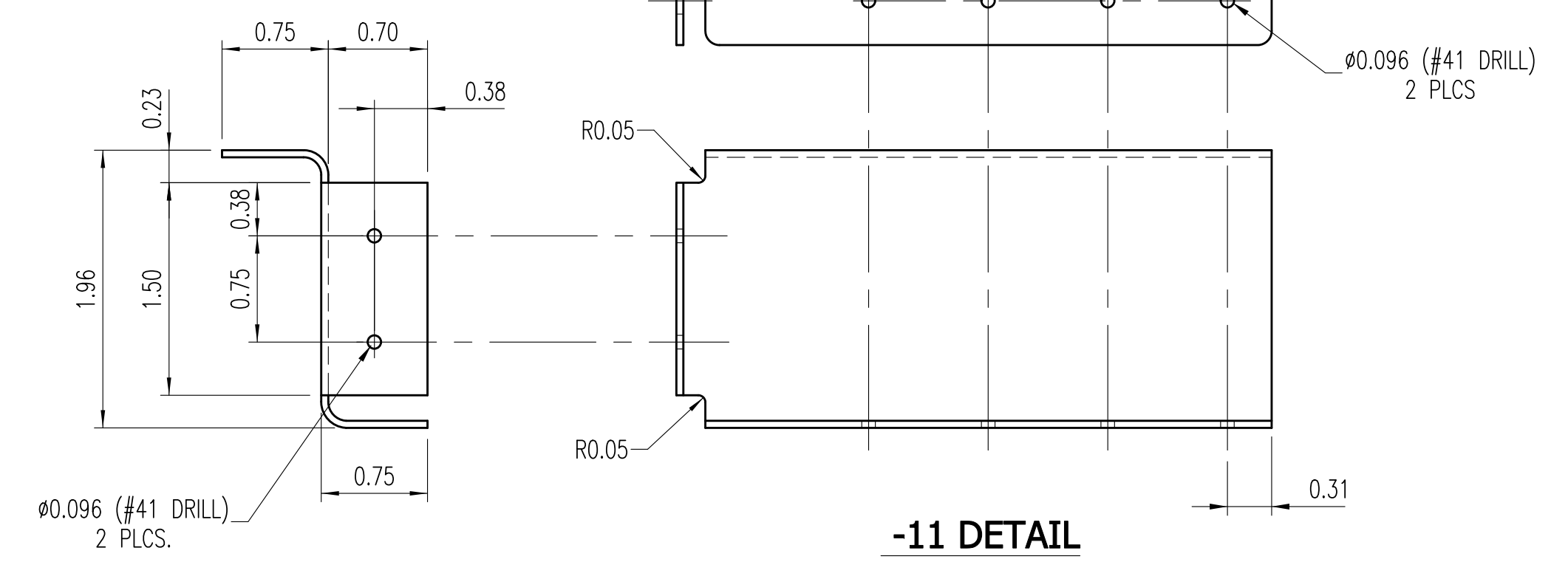
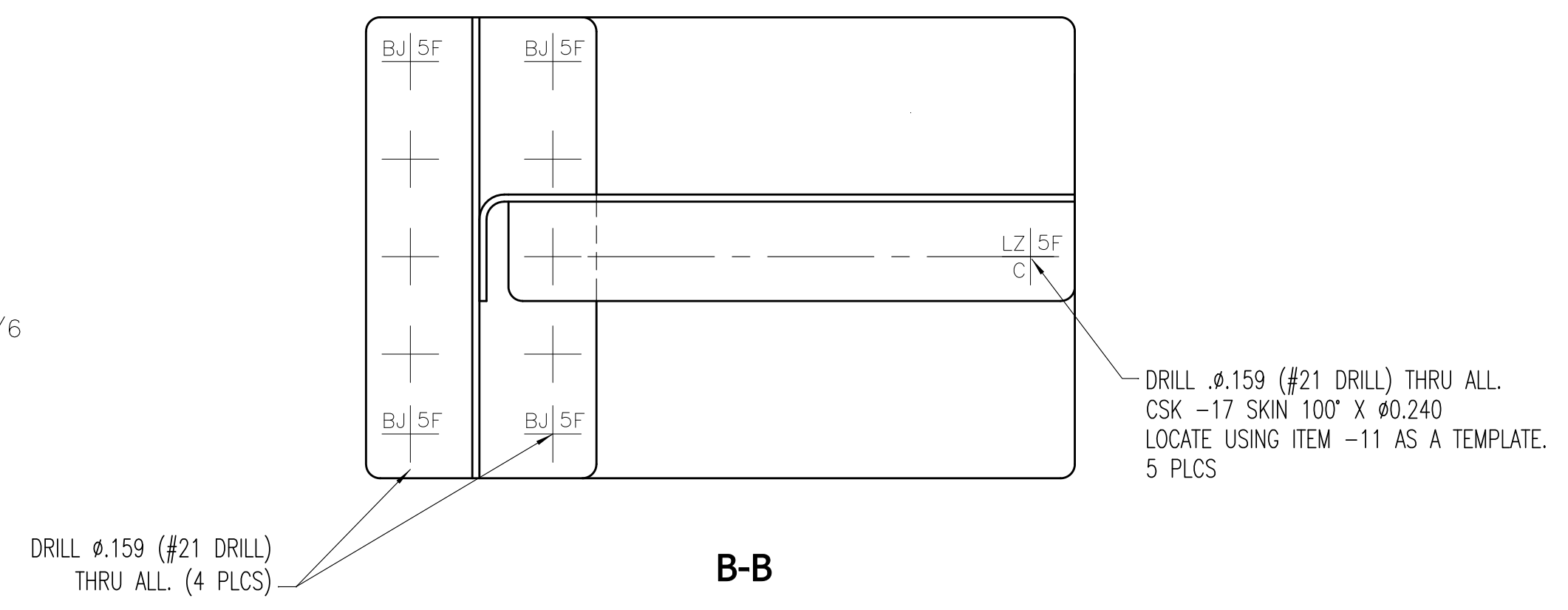
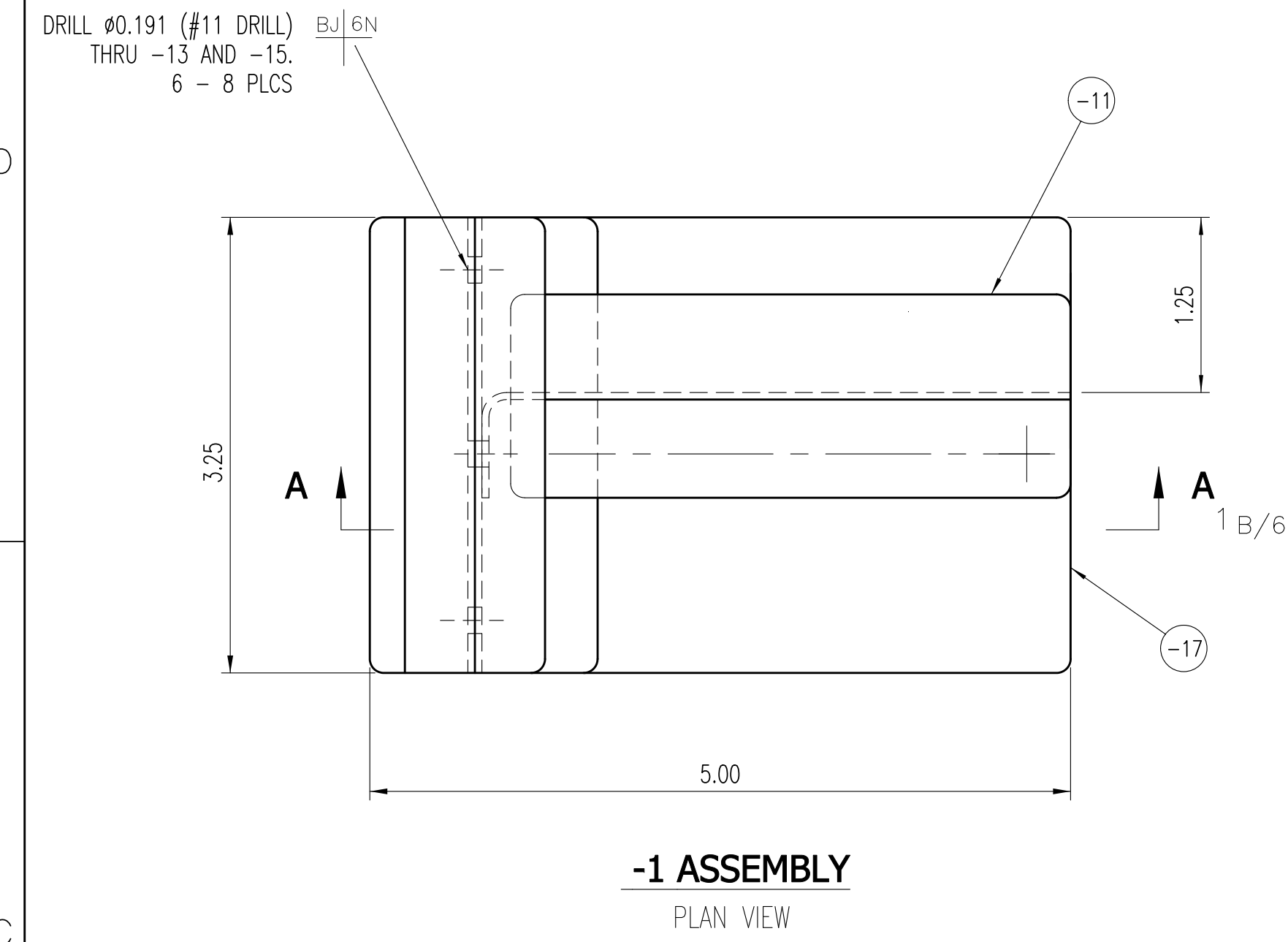


REVISIONS						
ZONE	REV	DESCRIPTION	DATE	BY	CHK	APP'D
ALL	A	REVISED DRAWING FOR 2021 REGIONALS	SEPT 15 2021	PW		



- NOTES:**
- UNLESS NOTED OTHERWISE, ALL BEND RADII TO BE .125 AND ALL CORNER RADII TO BE 0.10.
  - REFER TO NAS 523 FASTENER CODE FOR FASTENER CALL OUT INFORMATION. ADJUST FASTENER LENGTHS TO SUIT.
  - FORMING AND ASSEMBLY IN ACCORDANCE WITH AC43.13 IB & 2B. NO SCUFFS PERMITTED MORE THAN  $\pm 0.001$  INCH ( $\pm 0.025$ mm) IN DEPTH.
  - NO SCRATCHES PERMITTED.
  - MAINTAIN MIN 2D ED AND 4D TO 6D SPACING. SPACE COUNT EQUALLY BETWEEN END FASTENERS.

ZONE	REV	ITEM #	PART NUMBER	DESCRIPTION	MAT'L/MANUF.	SPECIFICATION	FSCM	H.T.
1	B/5	1	-19	ATG-026-19	SHIM	.050 ALCLAD 2024-T3	QQ-A-250/5	
1	C/7	1	-17	ATG-026-17	SKIN	.040 ALCLAD 2024-T3	QQ-A-250/5	
1	B/1	1	-15	ATG-026-15	CHANNEL	.050 ALCLAD 2024-T3	QQ-A-250/5	
1	B/3	1	-13	ATG-026-13	CHANNEL	.050 ALCLAD 2024-T3	QQ-A-250/5	
1	C/2	1	-11	ATG-026-11	ZEE	.050 ALCLAD 2024-T3	QQ-A-250/5	
	C/6	1	-1	ATG-026-1	SENIOR ASSEMBLY, AST STRUCTURES, 2021 REGIONALS			

QUANTITY REQD				ZONE	SHEET	ITEM #	PART NUMBER	DESCRIPTION	MAT'L/MANUF.	SPECIFICATION	FSCM	H.T.
				-1								

**GENERAL REQUIREMENTS--UNLESS OTHERWISE SPECIFIED**

1. DO NOT SCALE DRAWING

2. DIMENSIONS ARE IN INCHES

3. REMOVE SHARP EDGES AND DEBURR.

4. DIMENSIONS APPLY BEFORE SURFACE FINISH.

5. ZONE CALLOUT: SHEET ZONE

6. THIRD ANGLE PROJECTION

**TOLERANCES**

DECIMALS

X.X  $\pm .1$

X.XX  $\pm .03$

X.XXX  $\pm .010$

ANGLES

MACHINED  $\pm .5^\circ$

FORMED  $\pm 2^\circ$

CHAMFERS  $\pm 5^\circ$

RADI

MACHINED  $\pm .010$

FORMED  $\pm .030$

DRAWN 6/15/2020 P. WATSON

CHECKED

STRUCTURES

AVIONICS

SYSTEMS

APPROVED

DATE SIGNATURE

PROPRIETARY TO MY ATG Inc. DISCLOSURE, REPRODUCTION OR USE REQUIRES PERMISSION IN WRITING FROM MY ATG Inc.

SIZE D

FSCM NO.

DWG NO. **ATG - 026**

REV A

SCALE 1:1

SHEET 1 OF 1

**MY ATG Inc.**  
LAKE COUNTRY, BRITISH COLUMBIA, CANADA

**SENIOR ASSEMBLY, AST STRUCTURES, 2021 REGIONALS**

BASIC CODE	DASH NO. FOR DIA	DASH NO. FOR LENGTH
C = COUNTERSUNK	N=MFD HEAD NEAR SIDE	W=SPOTWELD OPTIONAL
D = DIMPLED	F=MFD FAR SIDE	EXISTING
# = SHEETS AFFECTED		
1st LINE = MANUF. HEAD		
2nd LINE = UPSET END		

**NAS 523 FASTENER CODE**

PART NO.	NO. REQD PER A/C	NEXT ASSY	USED ON	DRAWING TYPE
				DETAIL / ASSEMBLY