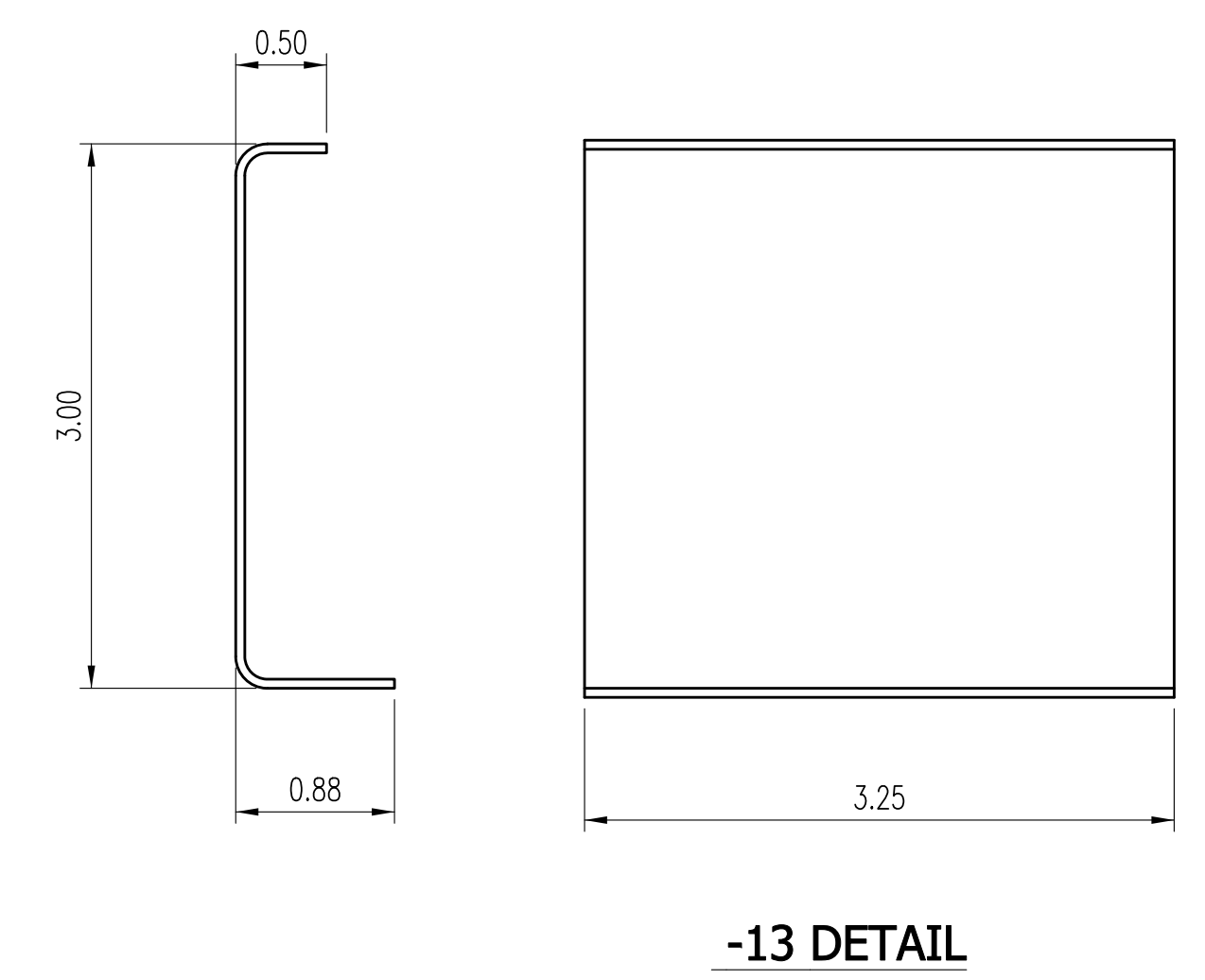
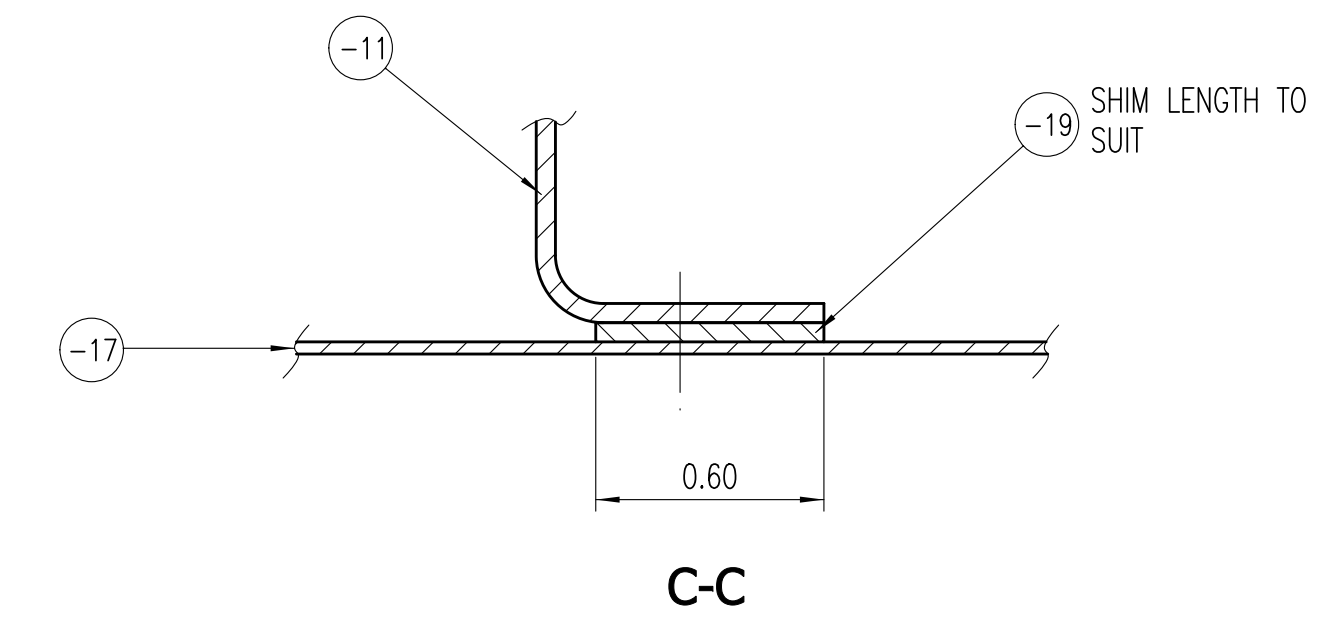
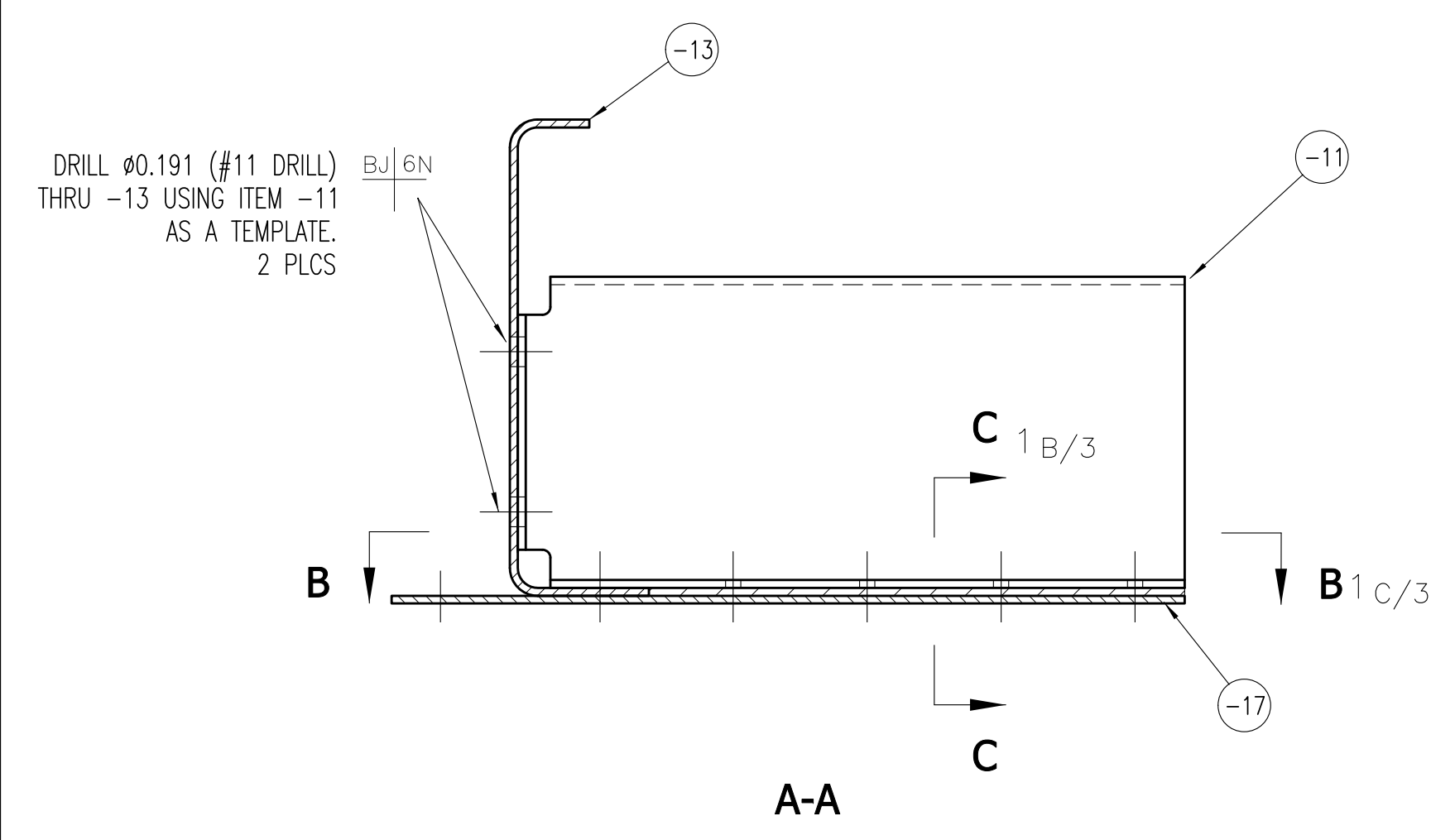
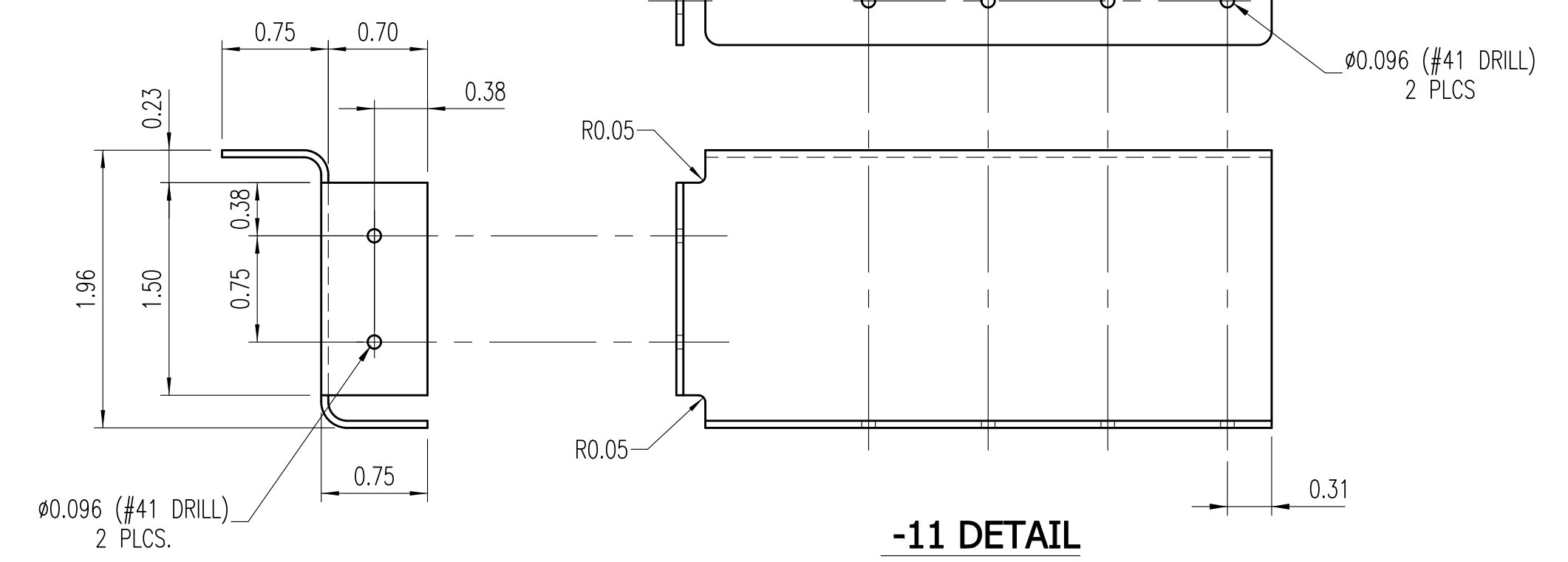
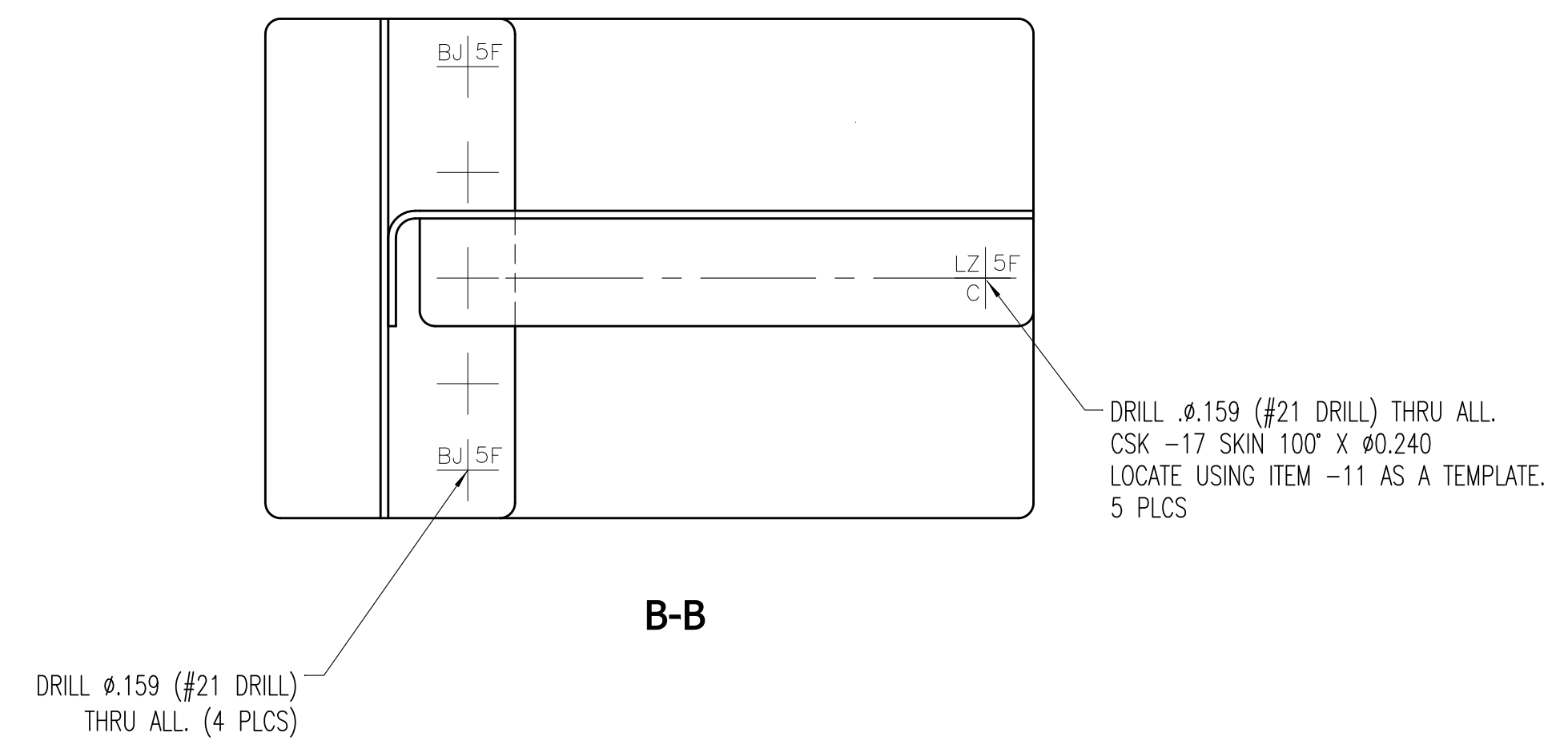
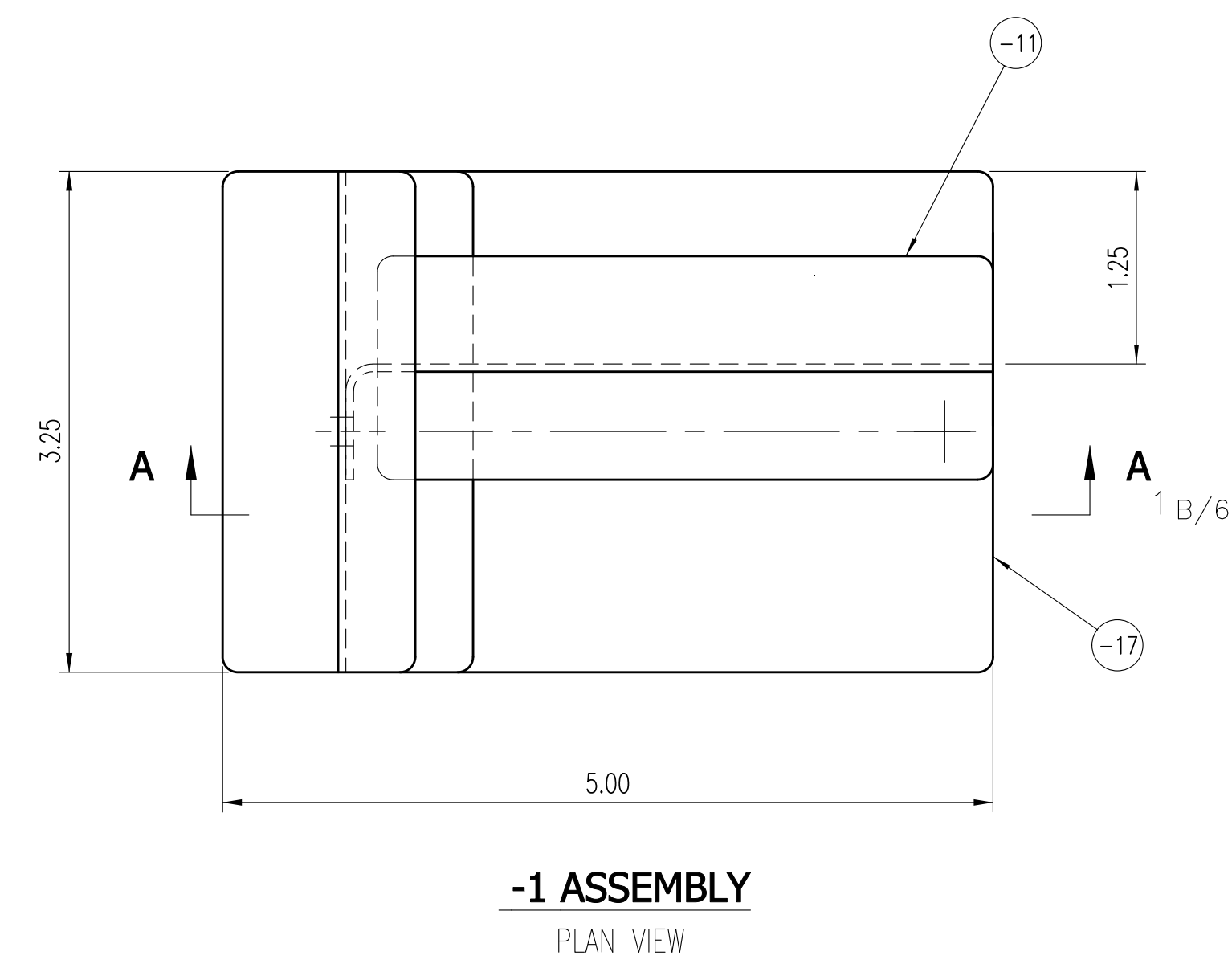


REVISIONS						
ZONE	REV	DESCRIPTION	DATE	BY	CHK	APP'D
ALL	A	REVISED DRAWING FOR 2021 REGIONALS	SEPT 15 2021	PW		



- NOTES:**
- UNLESS NOTED OTHERWISE, ALL BEND RADII TO BE .125 AND ALL CORNER RADII TO BE 0.10.
 - REFER TO NAS 523 FASTENER CODE FOR FASTENER CALL OUT INFORMATION. ADJUST FASTENER LENGTHS TO SUIT.
 - FORMING AND ASSEMBLY IN ACCORDANCE WITH AC43.13 IB & 2B. NO SCUFFS PERMITTED MORE THAN \pm 0.001 INCH (\pm 0.025mm) IN DEPTH.
 - NO SCRATCHES PERMITTED.
 - MAINTAIN MIN 2D ED AND 4D TO 6D SPACING. SPACE COUNT EQUALLY BETWEEN END FASTENERS.

ZONE	SHEET	ITEM #	PART NUMBER	DESCRIPTION	MAT'L/MANUF.	SPECIFICATION	FSCM	H.T.
1	B/5	1	-19	ATG-027-19	SHIM	.040 ALCLAD 2024-T3	QQ-A-250/5	
1	C/7	1	-17	ATG-027-17	SKIN	.050 ALCLAD 2024-T3	QQ-A-250/5	
			-15		NOT USED			
1	B/3	1	-13	ATG-027-13	CHANNEL	.040 ALCLAD 2024-T3	QQ-A-250/5	
1	C/2	1	-11	ATG-027-11	ZEE	.040 ALCLAD 2024-T3	QQ-A-250/5	
	C/6	1	-1	ATG-027-1	JUNIOR ASSEMBLY, AST STRUCTURES, 2021 REGIONALS			

BJ = MS20470AD LZ = NAS1097AD	QUANTITY REQD	GENERAL REQUIREMENTS--UNLESS OTHERWISE SPECIFIED	DRAWN 6/15/2020 P. WATSON	MY ATG Inc. LAKE COUNTRY, BRITISH COLUMBIA, CANADA DRAWING TITLE JUNIOR ASSEMBLY, AST STRUCTURES, 2021 REGIONALS
BASIC CODES C = COUNTERSUNK D = DIMPLED # = SHEETS AFFECTED 1st LINE = MANUF. HEAD 2nd LINE = UPSET END DASH NO. FOR DIA N=MFD HEAD NEAR SIDE F=MFD FAR SIDE DASH NO. FOR LENGTH W=SPOTWELD OPTIONAL EXISTING	1. DO NOT SCALE DRAWING 2. DIMENSIONS ARE IN INCHES 3. REMOVE SHARP EDGES AND DEBURR. 4. DIMENSIONS APPLY BEFORE SURFACE FINISH. 5. ZONE CALLOUT: SHEET ZONE 6. THIRD ANGLE PROJECTION	TOLERANCES DECIMALS X.X \pm .1 X.XX \pm .03 X.XXX \pm .010 ANGLES MACHINED \pm .5° FORMED \pm 2° CHAMFERS \pm 5° RADI MACHINED \pm .010 FORMED \pm .003	CHECKED STRUCTURES AVIONICS SYSTEMS APPROVED DATE SIGNATURE	
NAS 523 FASTENER CODE	PART NO. NO. REQD PER A/C NEXT ASSY USED ON	DRAWING TYPE DETAIL / ASSEMBLY	PROPRIETARY TO MY ATG Inc. DISCLOSURE, REPRODUCTION OR USE REQUIRES PERMISSION IN WRITING FROM MY ATG Inc.	