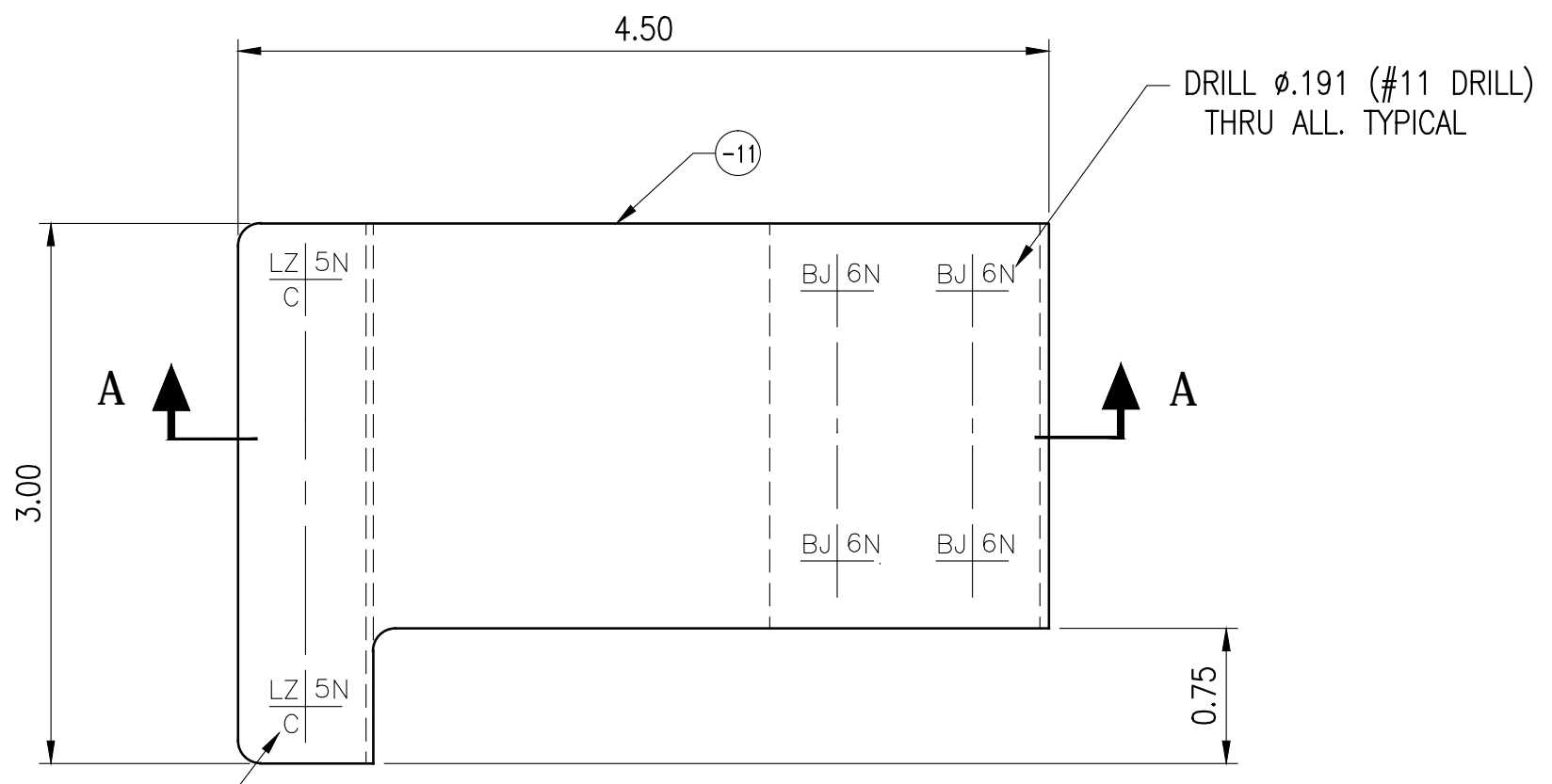
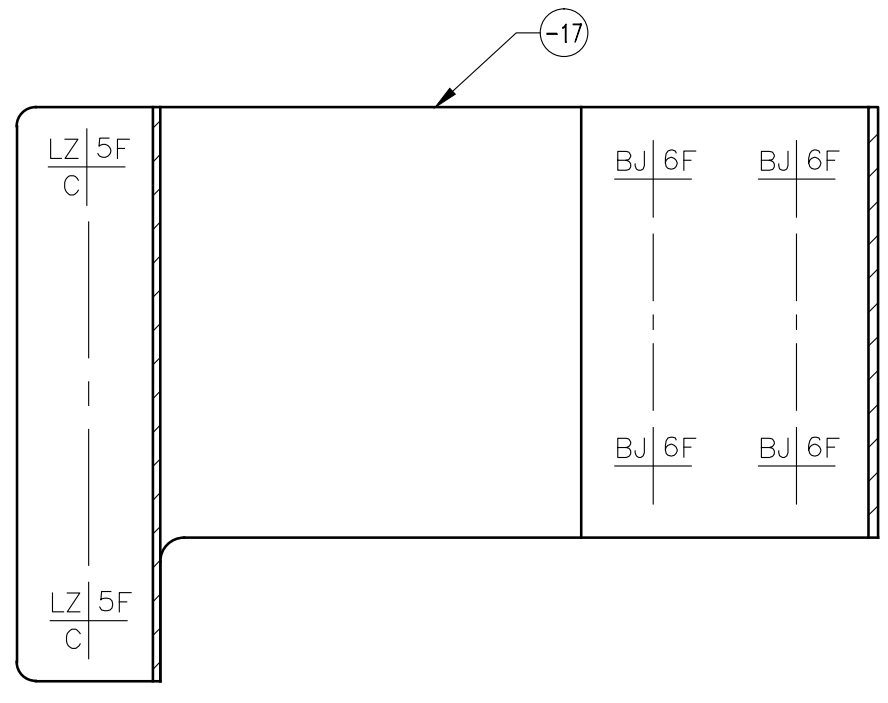


REVISIONS						
ZONE	REV	DESCRIPTION	DATE	BY	CHK	APP'D

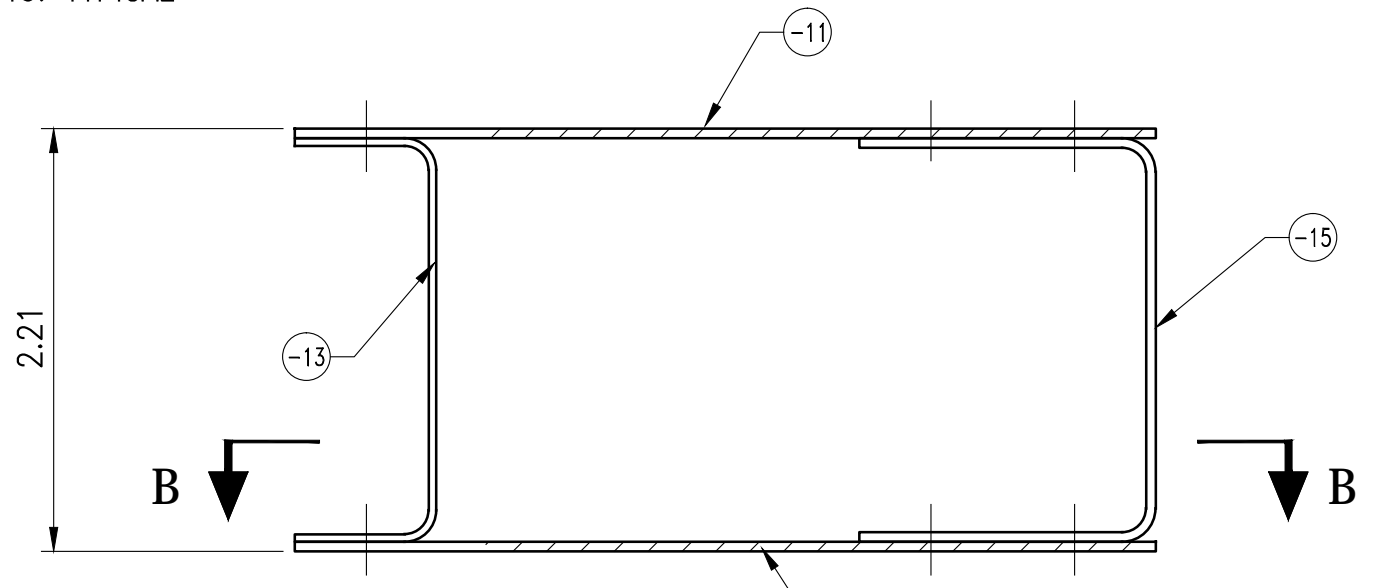


**-1 ASSEMBLY**  
PLAN VIEW

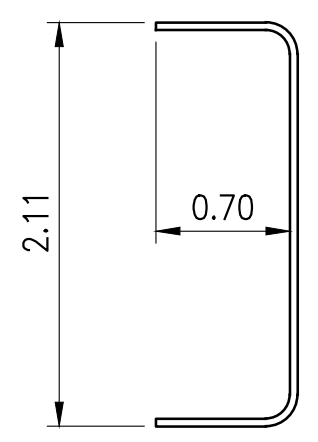


**B - B**

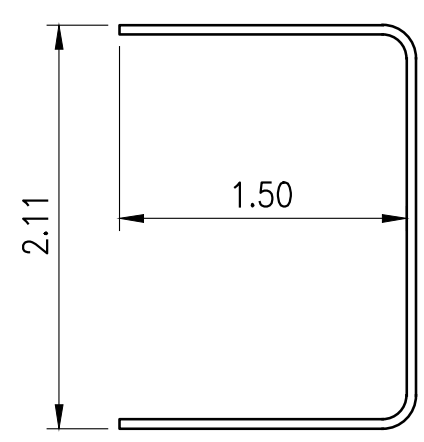
DRILL .Ø.159 (#21 DRILL)  
THRU ALL. CSK -11 SKIN  
100° X Ø.240. TYPICAL



**A - A**



**-13 DETAIL**



**-15 DETAIL**

**NOTES:**

- UNLESS NOTED OTHERWISE, ALL BEND RADII TO BE .125
- REFER TO NAS 523 FASTENER CODE FOR FASTENER CALL OUT INFORMATION. ADJUST FASTENER LENGTHS TO SUIT.
- FORMING AND ASSEMBLY IN ACCORDANCE WITH AC43.13 IB & 2B. NO SCUFFS PERMITTED MORE THAN ± 0.001 INCH (± 0.025mm) IN DEPTH.
- NO SCRATCHES PERMITTED.
- MAINTAIN MIN 2D ED AND 4D TO 6D SPACING. SPACE COUNT EQUALLY BETWEEN END FASTENERS.
- UNLESS NOTED OR SHOWN OTHERWISE ALL INSIDE AND OUTSIDE CORNER RADII TO BE 0.125.

ZONE	SHEET	ITEM #	PART NUMBER	DESCRIPTION	MAT'L/MANUF.	SPECIFICATION	FSCM	H.T.
AR			NAS1097AD5-AR	RIVET				
AR			MS20470AD6-AR	RIVET				
1		-17	ATG-019-17	SKIN	.050 ALCLAD 2024-T3	QQ-A-250/5		
1		-15	ATG-019-15	CHANNEL	.050 ALCLAD 2024-T3	QQ-A-250/5		
1		-13	ATG-019-13	CHANNEL	.040 ALCLAD 2024-T3	QQ-A-250/5		
1		-11	ATG-019-11	SKIN	.050 ALCLAD 2024-T3	QQ-A-250/5		
			ATG-019-1	AERO SKILLS 2019, REGIONAL FINALS, SENIOR				

BJ = MS20470AD	
LZ = NAS1097AD	
<b>BASIC CODES</b>	
BASIC CODE	DASH NO. FOR DIA N=MFD HEAD NEAR SIDE F=MFD FAR SIDE
C = COUNTERSUNK	DASH NO. FOR LENGTH W=SPOTWELD OPTIONAL
D = DIMPLED	EXISTING
# = SHEETS AFFECTED	
1st LINE = MANU. HEAD	
2nd LINE = UPSET END	
NAS 523 FASTENER CODE	

QUANTITY REQD	PART NO.	NO. REQD PER A/C	NEXT ASSY	USED ON

**GENERAL REQUIREMENTS—UNLESS OTHERWISE SPECIFIED**

- DO NOT SCALE DRAWING
- DIMENSIONS ARE IN INCHES
- REMOVE SHARP EDGES AND DEBURR.
- DIMENSIONS APPLY BEFORE SURFACE FINISH.
- ZONE CALLOUT: SHEET ZONE
- THIRD ANGLE PROJECTION

TOLERANCES	
DECIMALS	
X.X ± .1	
X.XX ± .03	
X.XXX ± .010	
ANGLES	
MACHINED ± .5°	
FORMED ± 2°	
CHAMFERS ± 5°	
RADII	
MACHINED ± .010	
FORMED + .030	
- .000	

DRAWN	JUN 24/18	P. WATSON
CHECKED		
STRUCTURES		
AVIONICS		
SYSTEMS		
APPROVED		
DATE	SIGNATURE	
	PROPRIETARY TO MY ATG Inc. DISCLOSURE, REPRODUCTION OR USE REQUIRES PERMISSION IN WRITING FROM MY ATG Inc.	

**MY ATG Inc.**  
LAKE COUNTRY, BRITISH COLUMBIA, CANADA

DRAWING TITLE  
**AERO SKILLS 2019  
REGIONAL FINALS, SENIOR**

SIZE	FSCM NO.	DWG NO.	REV
C		ATG - 019	NC
SCALE	1:1		SHEET 1 OF 1