

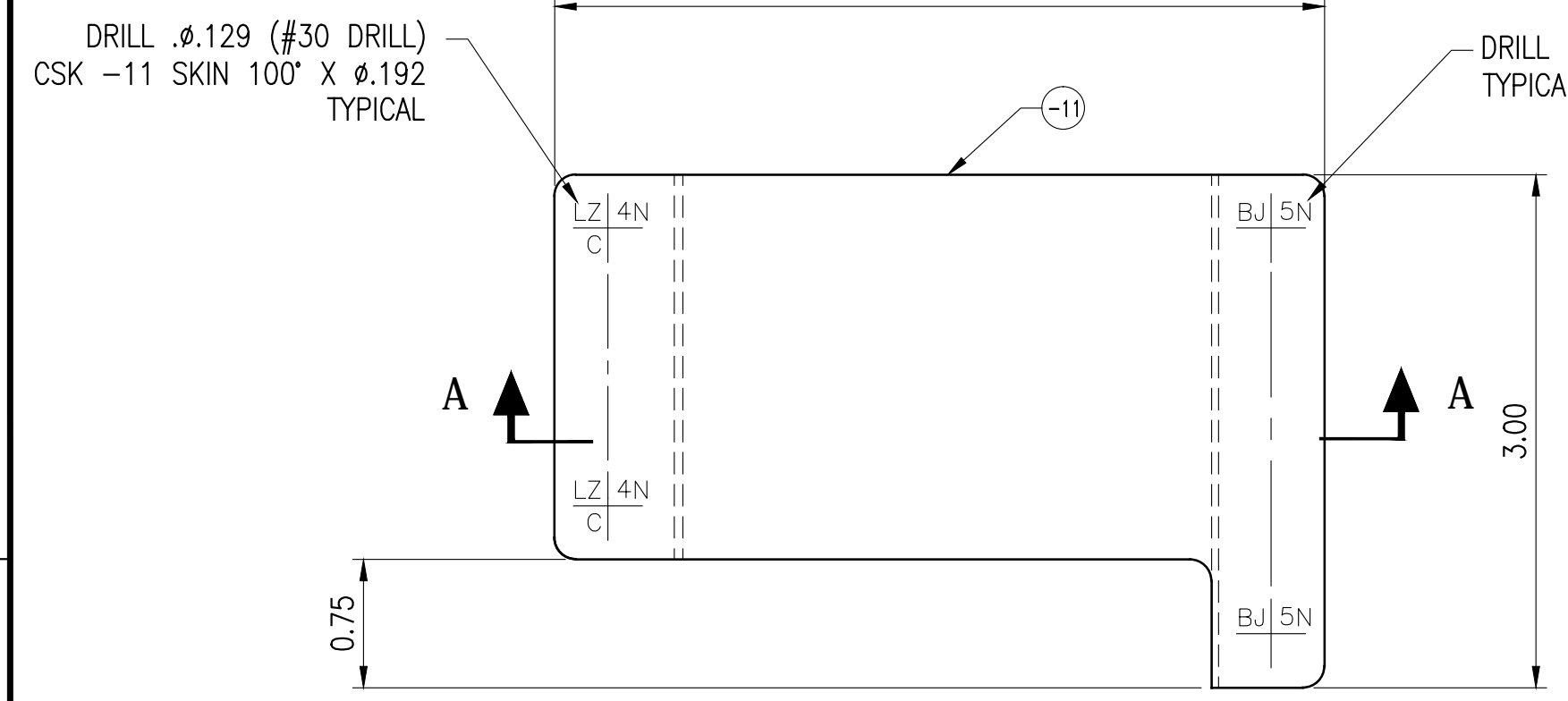
4

3

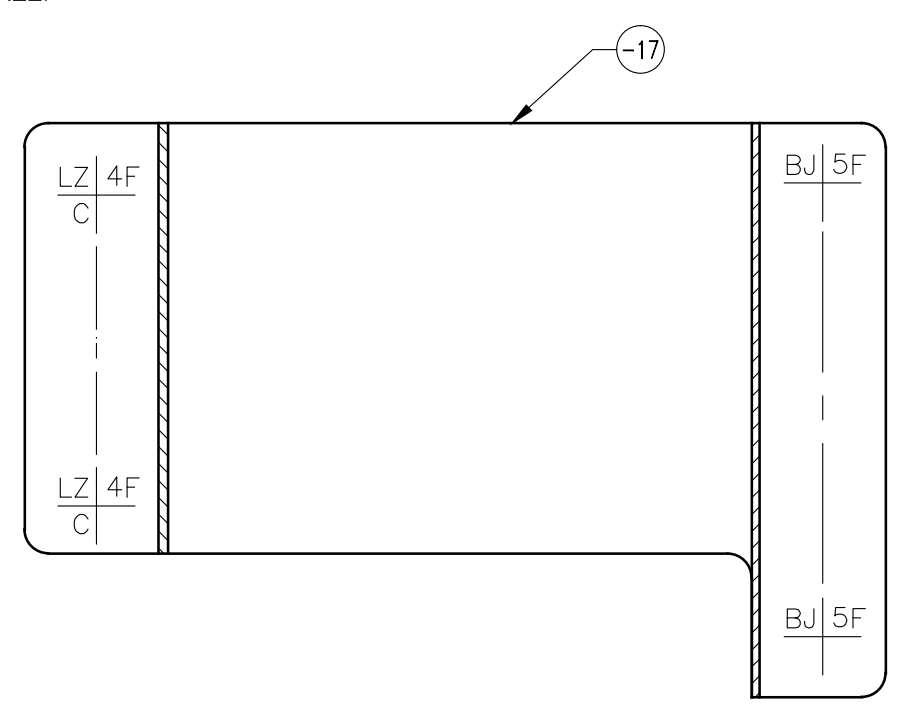
2

1

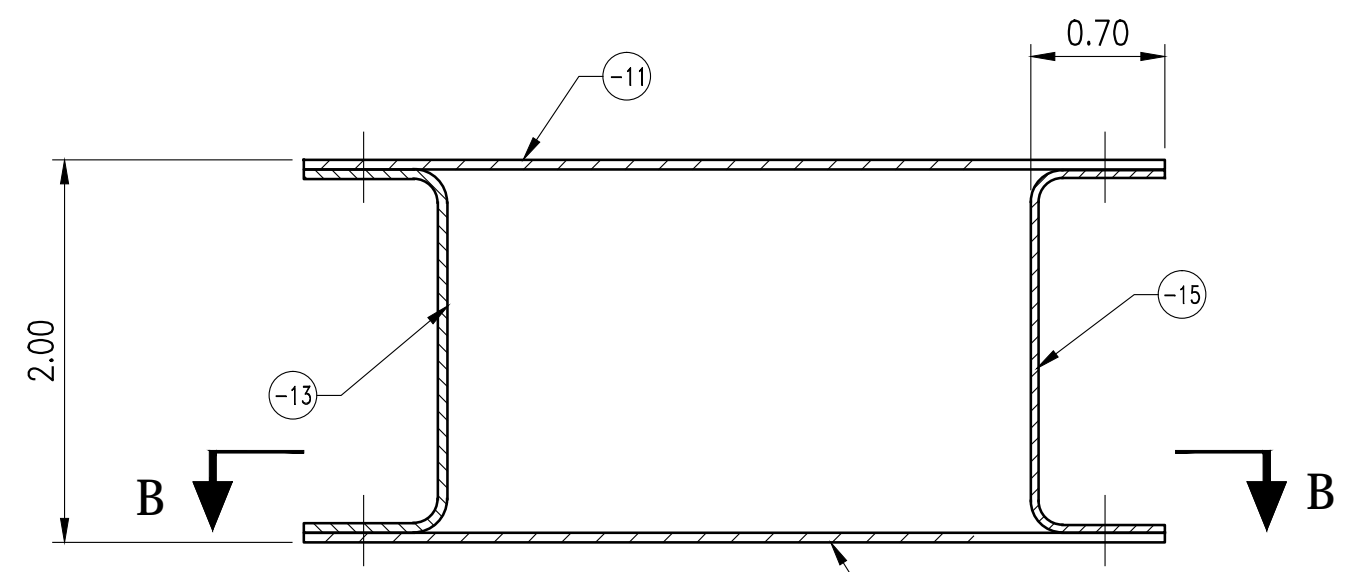
REVISIONS						
ZONE	REV	DESCRIPTION	DATE	BY	CHK	APP'D



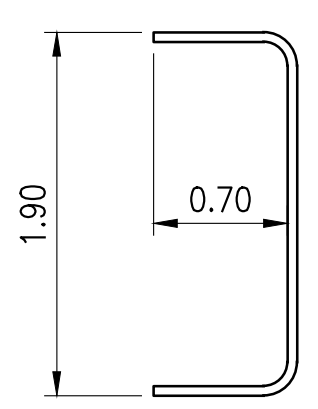
-1 ASSEMBLY
PLAN VIEW



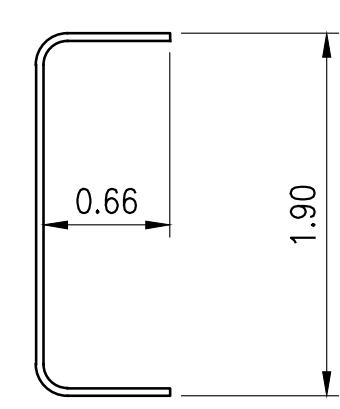
B - B



A - A



-13 DETAIL



-15 DETAIL

NOTES:

- UNLESS NOTED OTHERWISE, ALL BEND RADII TO BE .125
- REFER TO NAS 523 FASTENER CODE FOR FASTENER CALL OUT INFORMATION. ADJUST FASTENER LENGTHS TO SUIT.
- FORMING AND ASSEMBLY IN ACCORDANCE WITH AC43.13 IB & 2B. NO SCUFFS PERMITTED MORE THAN ± 0.001 INCH (± 0.025mm) IN DEPTH.
- NO SCRATCHES PERMITTED.
- MAINTAIN MIN 2D ED AND 4D TO 6D SPACING. SPACE COUNT EQUALLY BETWEEN END FASTENERS.
- UNLESS NOTED OR SHOWN OTHERWISE ALL INSIDE AND OUTSIDE CORNER RADII TO BE 0.125.

AR	ZONE	SHEET	ITEM #	PART NUMBER	DESCRIPTION	MAT'L/MANUF.	SPECIFICATION	FSCM	H.T.
AR				NAS1097AD4-AR	RIVET				
AR				MS20470AD5-AR	RIVET				
1			-17	ATG-018-17	SKIN	.050 ALCLAD 2024-T3	QQ-A-250/5		
1			-15	ATG-018-15	CHANNEL	.040 ALCLAD 2024-T3	QQ-A-250/5		
1			-13	ATG-018-13	CHANNEL	.050 ALCLAD 2024-T3	QQ-A-250/5		
1			-11	ATG-018-11	SKIN	.050 ALCLAD 2024-T3	QQ-A-250/5		
				ATG-018-1	AERO SKILLS 2019, REGIONAL FINALS, JUNIOR				

BJ = MS20470AD	
LZ = NAS1097AD	
BASIC CODES	
BASIC CODE	DASH NO. FOR DIA N=MFD HEAD NEAR SIDE F=MFD FAR SIDE
C = COUNTERSUNK	DASH NO. FOR LENGTH W=SPOTWELD OPTIONAL
D = DIMPLED	EXISTING
# = SHEETS AFFECTED	
1st LINE = MANU. HEAD	
2nd LINE = UPSET END	
NAS 523 FASTENER CODE	

QUANTITY REQD	PART NO.	NO. REQD PER A/C	NEXT ASSY	USED ON

GENERAL REQUIREMENTS—UNLESS OTHERWISE SPECIFIED

- DO NOT SCALE DRAWING
- DIMENSIONS ARE IN INCHES
- REMOVE SHARP EDGES AND DEBURR.
- DIMENSIONS APPLY BEFORE SURFACE FINISH.
- ZONE CALLOUT: SHEET ZONE
- THIRD ANGLE PROJECTION

TOLERANCES

DECIMALS

X.X ± .1

X.XX ± .03

X.XXX ± .010

ANGLES

MACHINED ± .5°

FORMED ± 2°

CHAMFERS ± 5°

RADI

MACHINED ± .010

FORMED + .030

-.000

DRAWN JUN 24/18 P. WATSON

CHECKED

STRUCTURES

AVIONICS

SYSTEMS

APPROVED

DATE SIGNATURE

PROPRIETARY TO MY ATG Inc.
DISCLOSURE, REPRODUCTION OR
USE REQUIRES PERMISSION IN
WRITING FROM MY ATG Inc.

DRAWING TYPE DETAIL / ASSEMBLY

MY ATG Inc.
LAKE COUNTRY, BRITISH COLUMBIA, CANADA

DRAWING TITLE

**AERO SKILLS 2019
REGIONAL FINALS, JUNIOR**

SIZE C FSCM NO. DWG NO. ATG - 018 REV NC

SCALE 1:1 SHEET 1 OF 1

4

3

2

1